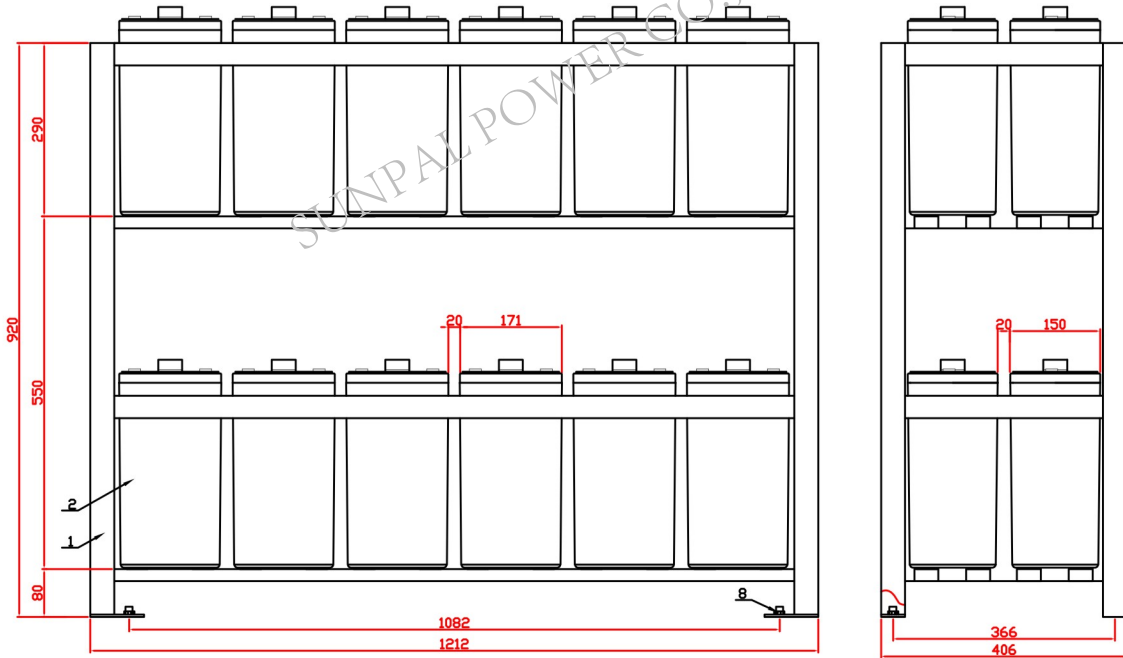
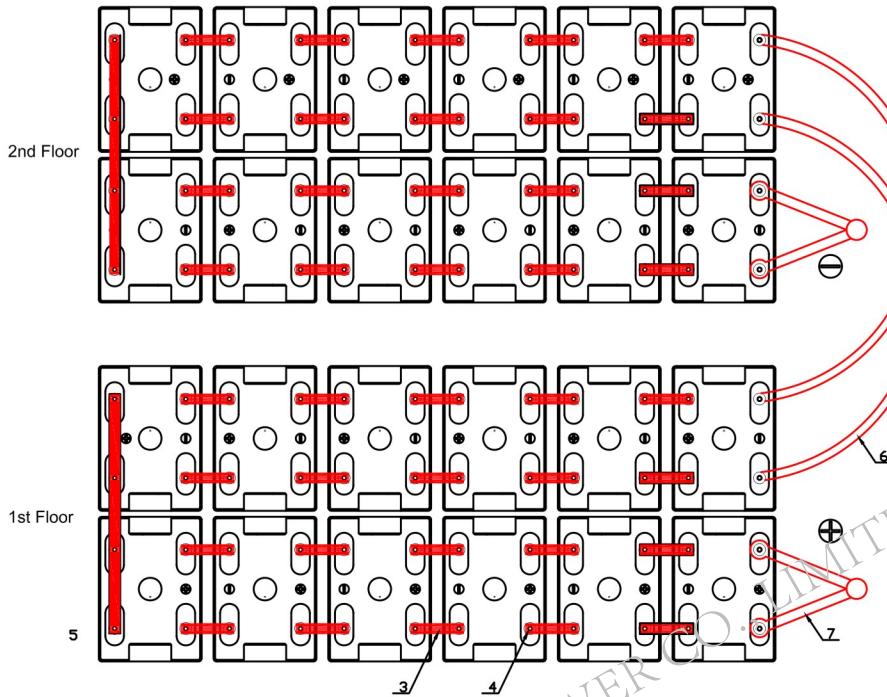


**Technology Requirement:**

Pay attention to the positive and the negative of battery when assembled. Please place batteries in terms of our drawings instruction strictly. The gap between two batteries will be 20mm. Please screw the bolts tightly.

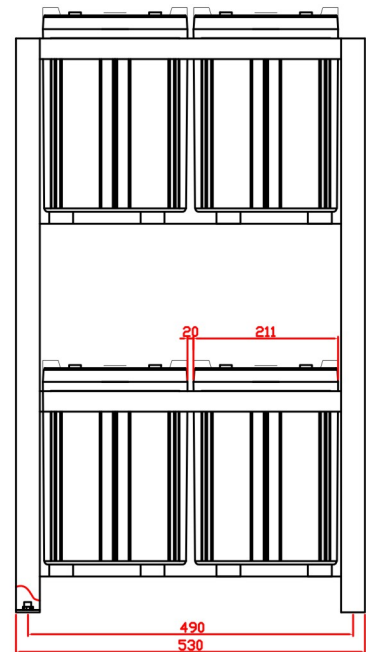
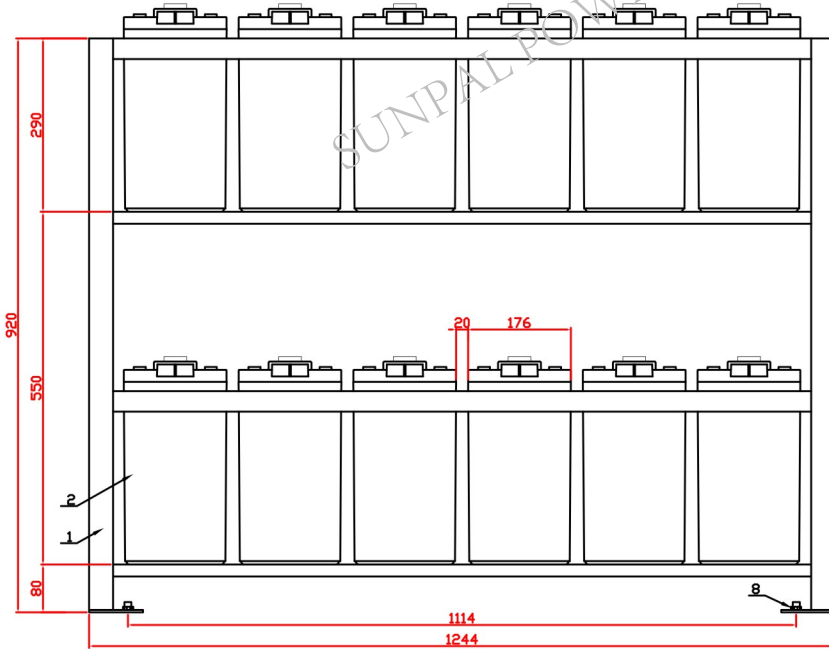


48VRL2300

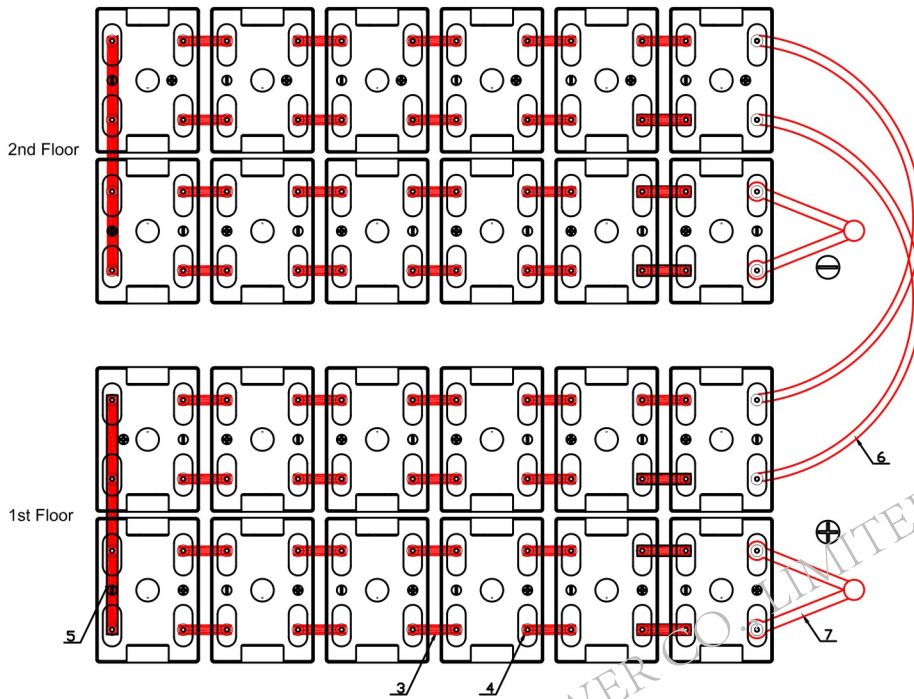


**Technology Requirement:**

Pay attention to the positive and the negative of battery when assembled. Please place batteries in terms of our drawings instruction strictly. The gap between two batteries will be 20mm. Please screw the bolts tightly.

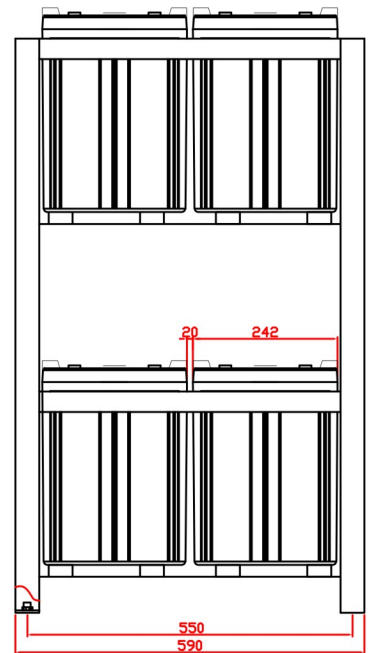
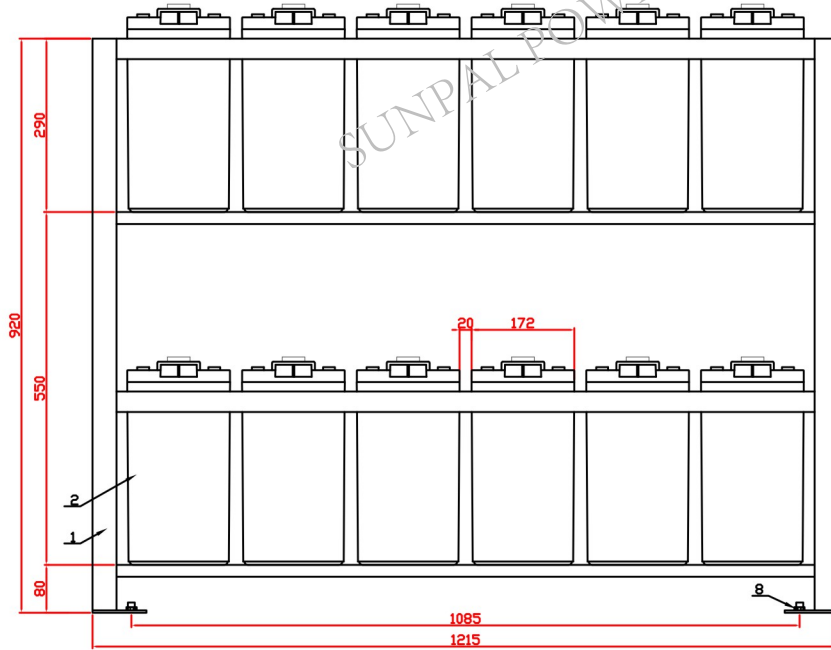


48VRL2400

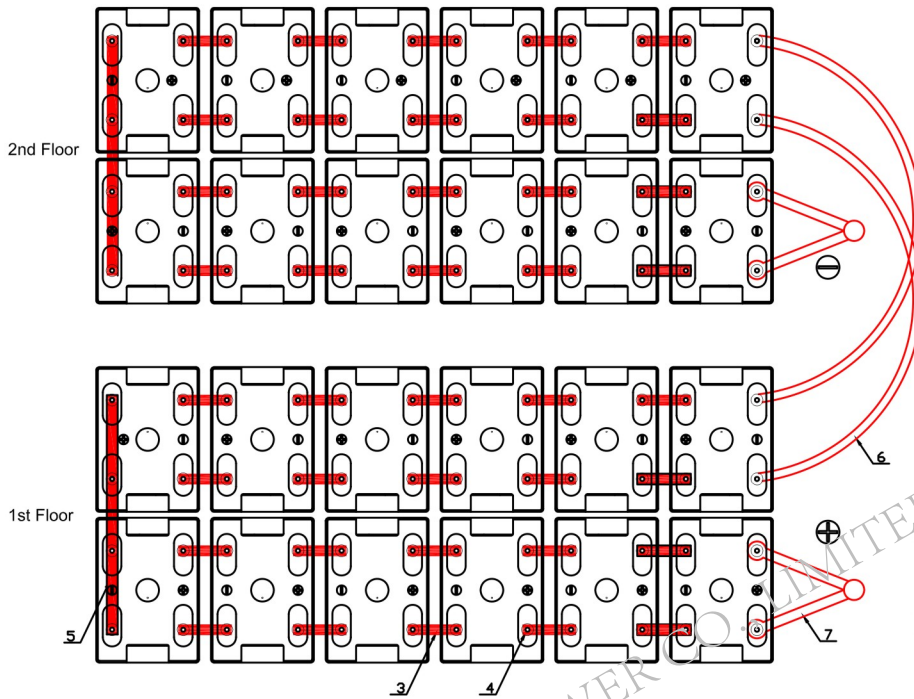


**Technology Requirement:**

Pay attention to the positive and the negative of battery when assembled. Please place batteries in terms of our drawings instruction strictly. The gap between two batteries will be 20mm. Please screw the bolts tightly.

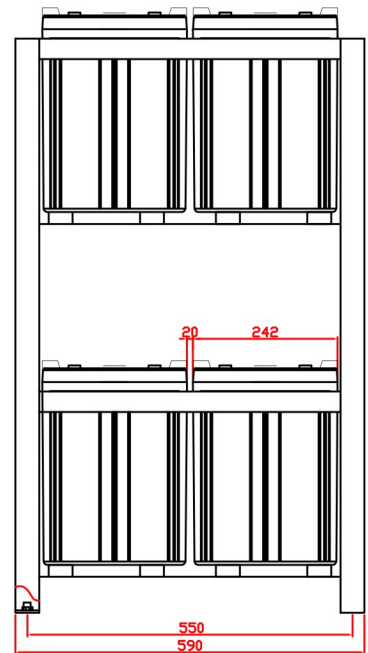
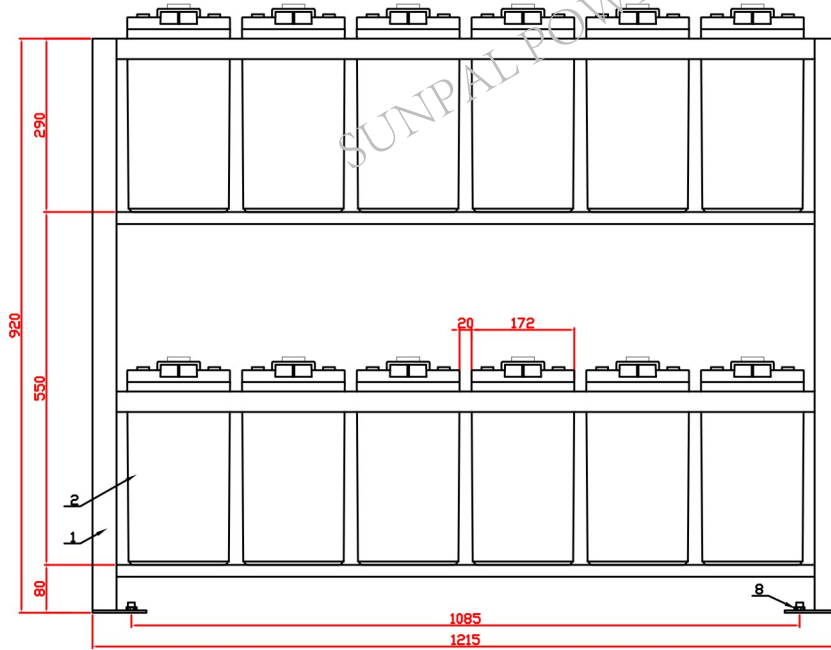


48VRL2500

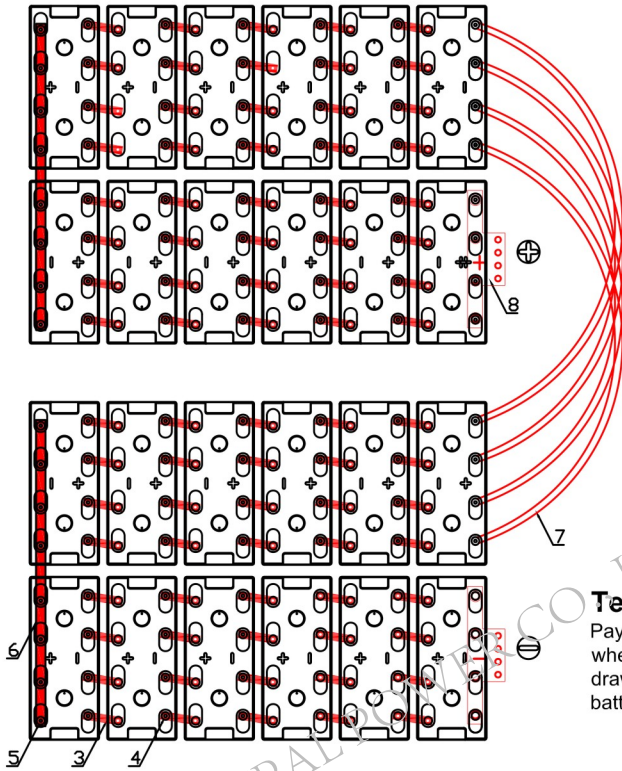


**Technology Requirement:**

Pay attention to the positive and the negative of battery when assembled. Please place batteries in terms of our drawings instruction strictly. The gap between two batteries will be 20mm. Please screw the bolts tightly.

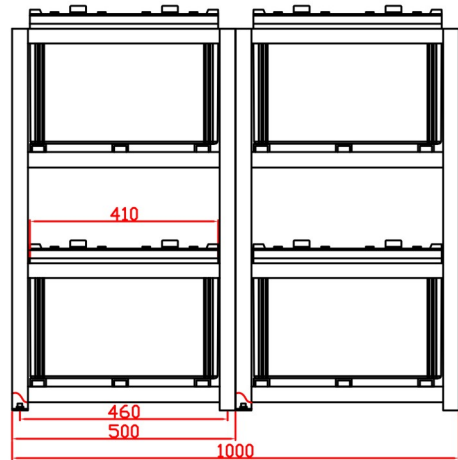
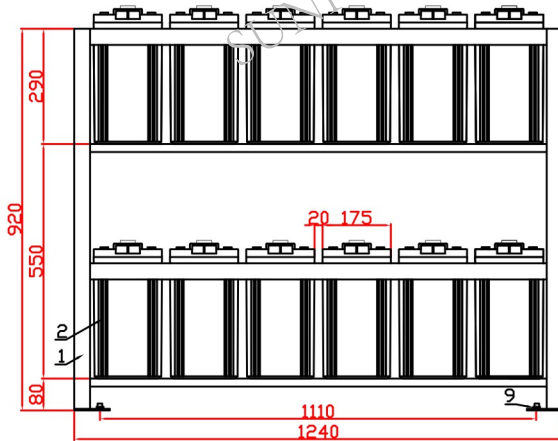


48VRL2500

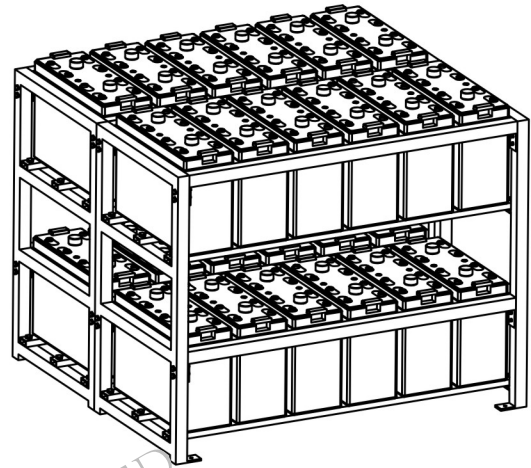
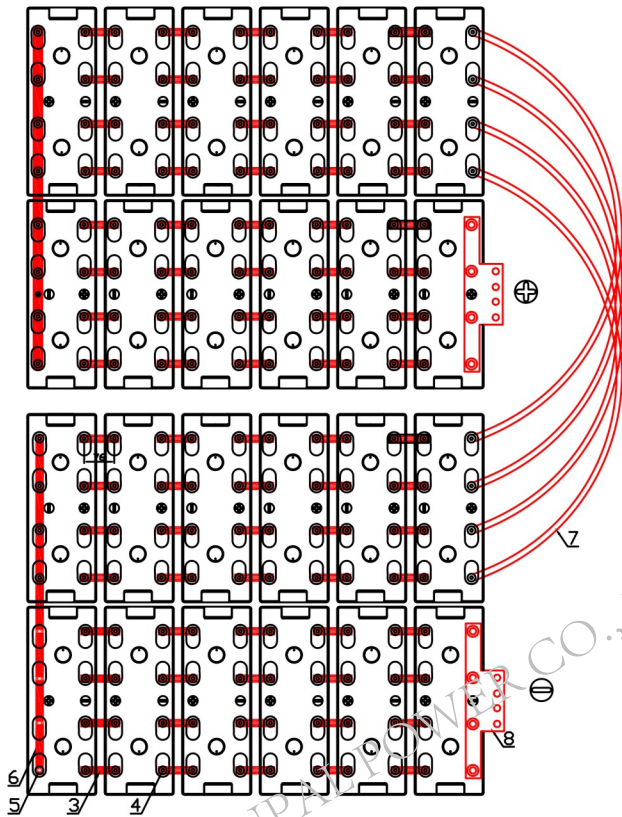


### Technology Requirement:

Pay attention to the positive and the negative of battery when assembled. Please place batteries in terms of our drawings instruction strictly. The gap between two batteries will be 20mm. Please screw the bolts tightly.

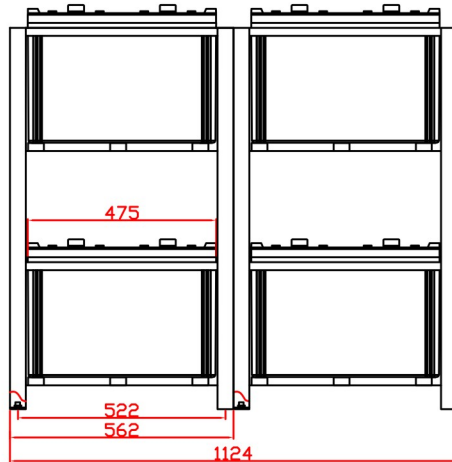
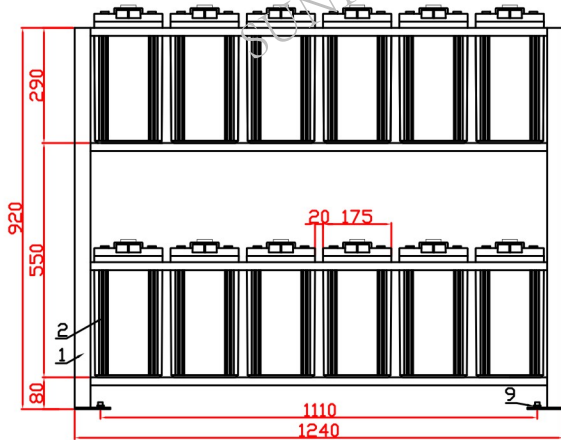


# 48VRL2800

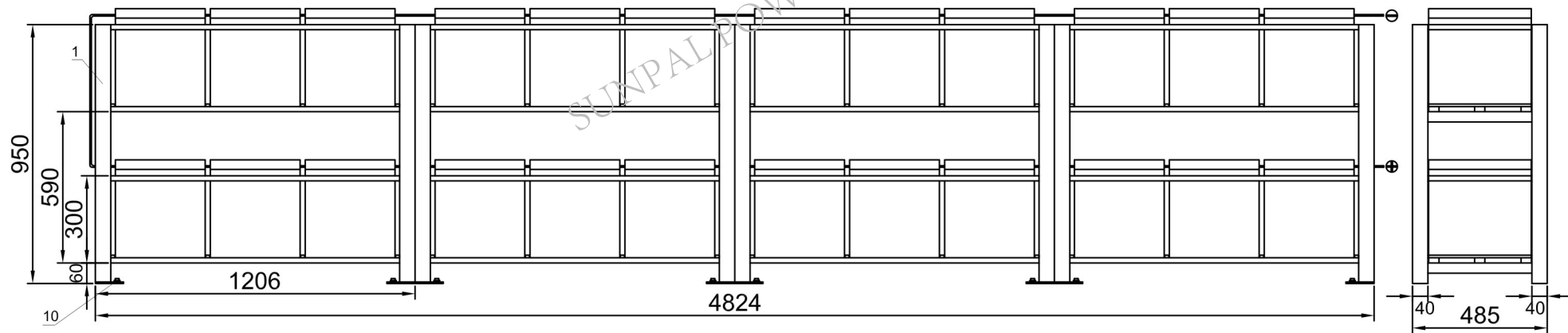
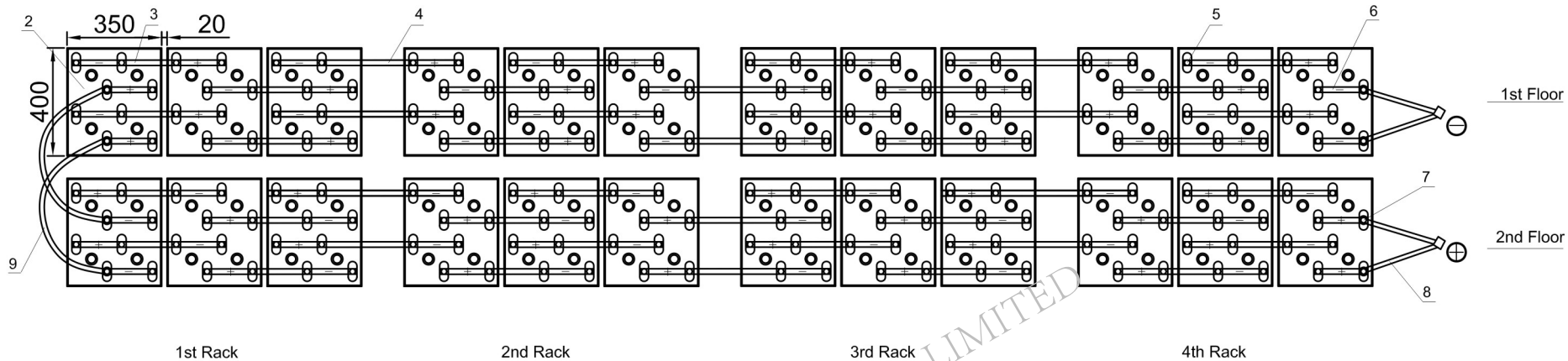


**Technology Requirement:**

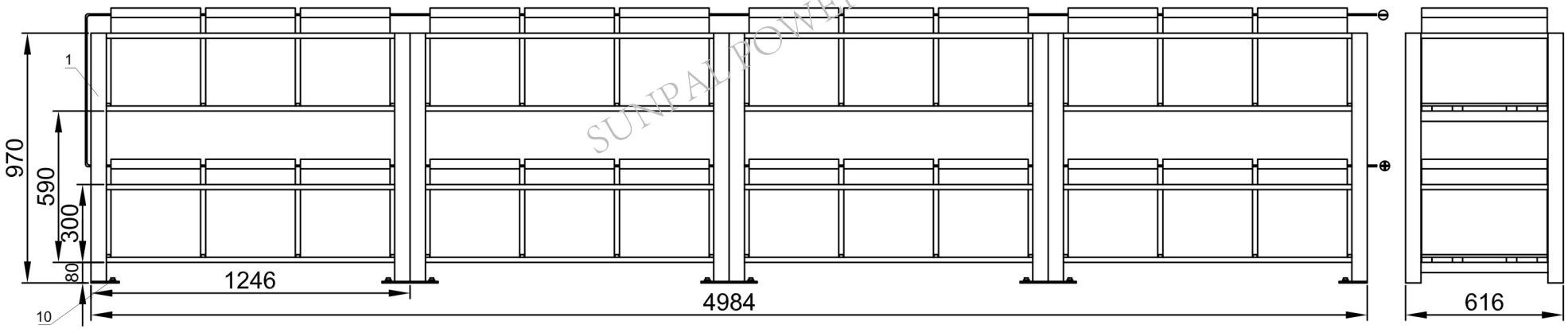
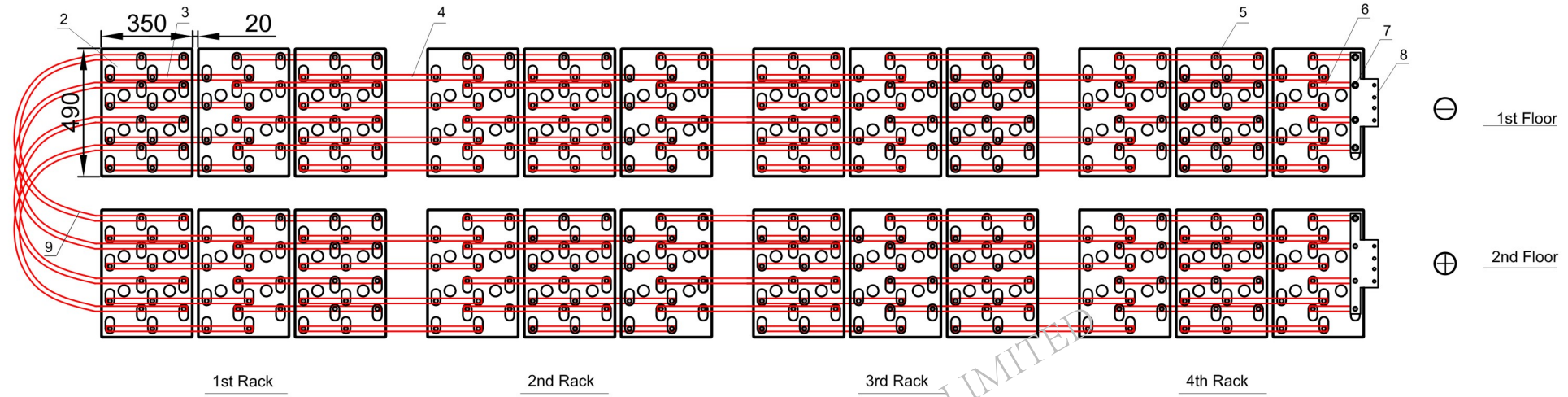
Pay attention to the positive and the negative of battery when assembled. Please place batteries in terms of our drawings instruction strictly. The gap between two batteries will be 20mm. Please srew the bolts tightly.



48VRL21000

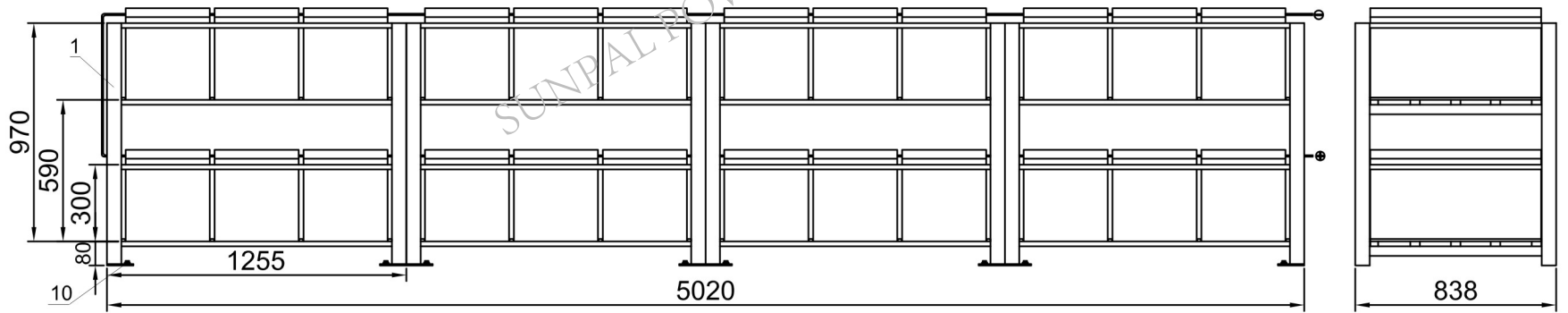
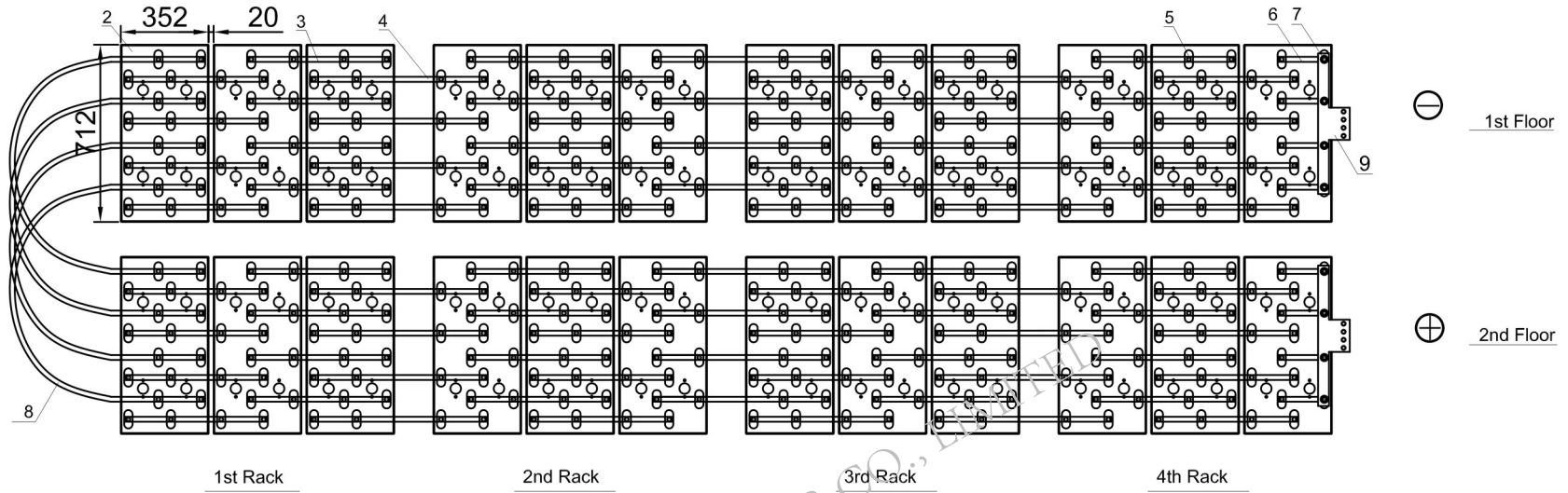


48VRL21500



48VRL22000





48VRL23000